

Accelerometer ACT-010

- 3-Axis Piezo-resistive accelerometer, Range±10g;
- Very low consumption<2mA;
- Very low noise<100µg/√Hz;
- Frequency response≥500Hz (5%);
- Anti-Shock≥2000g.

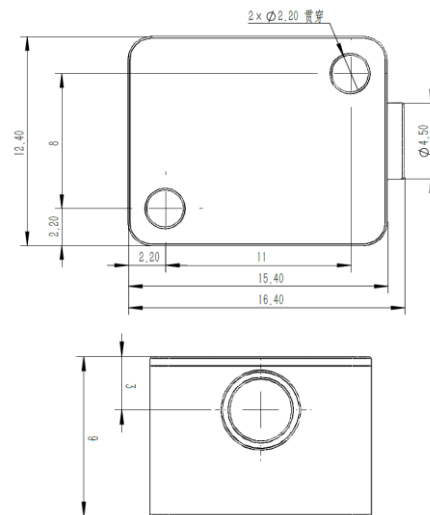


ACT-010, based on MEMS, is 3-axis accelerometer with very low noise. The sensor can real very high measurement repeatability. The principle includes an internal LDO to get stable accuracy voltage, which also reduces the sensor power supply. A 1.5kHz (50%) low pass filter is integrated to refine the signal output. The sensor includes wear-resisting cable with default length 8m. The LEMO connector and Dallas ID are optional.

Technical Specification (5V, 25°C):

Name	Unit	Value
Range	g	±10
Excitation Voltage	V	5
Offset	mV	<± 50
Sensitivity	mV/g	80
Frequency Response	Hz	500 (5%)
Non-Linearity	%FS	≤± 0.2
Transverse Sensitivity	%	≤ 1
Noise Density	µg/√ Hz	<100
Current	mA	<2
Thermal Sens. Shift	%/°C	± 0.01
Power on time	ms	<10
Anti-Shock	g	>2000
Output Impedance	kΩ	30
Isolation Resistance	MΩ	>100
Operation Temperature	°C	-40~120
Case Materials	/	Al. Alloy
Wight (without cable)	grams	3.5
Dimension	mm	16.4× 12.4× 9

Dimension:



Wire Define:

Red	Excitation+
Black/Gray/Brown	Excitation-
Blue	Signal Y+
White	Signal X+
Yellow	Singal Z+
Purple	Signal Temperature+
Green	Not Connect
Orange	Signal-
Shield	Connector Case

Cable and Connector can be as required.

Mounting Screws and Flat Washers are included.